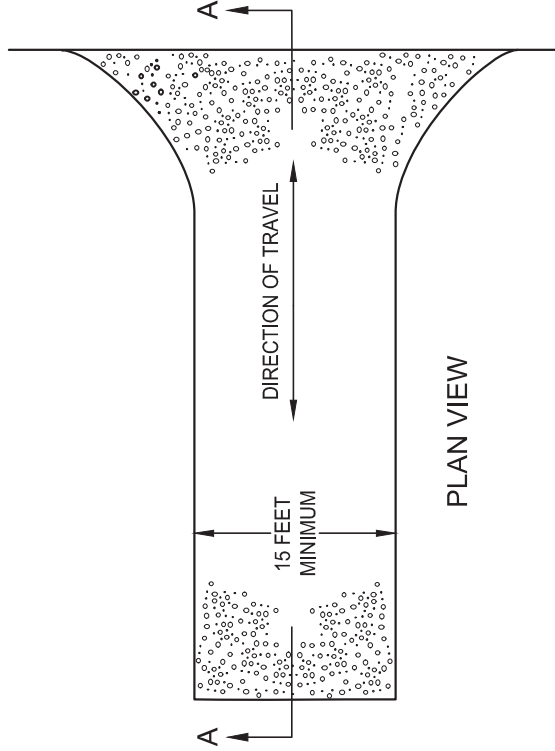


SECTION A-A



PLAN VIEW

NOTES

1. STABILIZED CONSTRUCTION SITE ACCESS SHALL BE CONSTRUCTED OF 6 - 8 INCH WASHED, WELL GRADED GRAVEL OR CRUSHED ROCK. MATERIAL SHALL BE PLACED TO A MINIMUM THICKNESS OF 8 INCHES. ROUND ROCK (RIVER ROCK) NOT ALLOWED.
2. LENGTH OF ENTRANCE SHALL BE A MINIMUM OF 50 FEET. WIDTH SHALL BE A MINIMUM OF 15 FEET OR GREATER IF NECESSARY TO COVER ALL VEHICULAR INGRESS AND EGRESS. PROVIDE AMPLE TURNING RADI.
3. THE ENTRANCE SHALL BE KEPT IN GOOD CONDITION BY OCCASIONAL TOP DRESSING WITH MATERIAL AS SPECIFIED IN NOTE 1.
4. ACCESS SHALL BE INSPECTED WEEKLY DURING PERIODS OF HEAVY USAGE, MONTHLY DURING NORMAL USAGE, AND AFTER EACH RAINFALL, WITH MAINTENANCE PROVIDED AS NECESSARY. PERIODIC TOP DRESSING SHALL BE DONE AS NEEDED.

DATE:	NOT TO SCALE
09/22/2007	
REVISION BY	APPROVED DATE


CITY OF ELK GROVE - PUBLIC WORKS

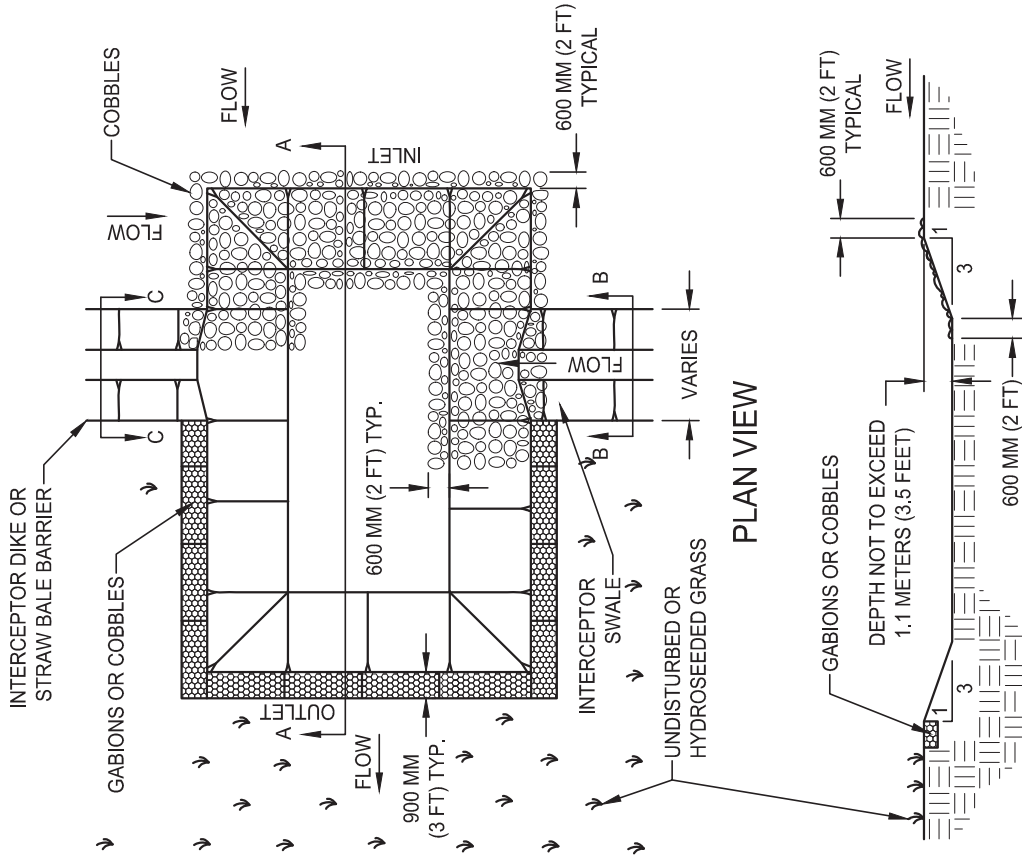
STABILIZED CONSTRUCTION SITE ACCESS

APPROVED BY: *Paul F. Muddick*
 CITY ENGINEER

10/24/2018
 DATE

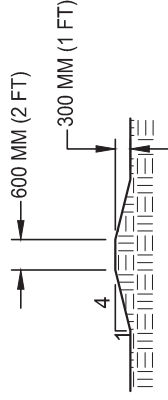
DRAWING NUMBER
SQ - 1



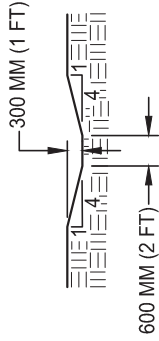


PLAN VIEW

SECTION A-A



SECTION C-C



SECTION B-B

NOTES:

1. DIMENSIONS OF SEDIMENT TRAPS, DIKES, AND SWALES SHALL BE APPROVED BY THE ADMINISTRATOR.
2. INTERCEPTION DIKES AND SWALES SHALL BE CONSTRUCTED TO DRAIN SURFACE RUNOFF INTO SEDIMENT TRAPS.
3. TRAPS SHALL BE EXCAVATED WITH APPROPRIATE EQUIPMENT, TAKING CARE NOT TO DISTURB VEGETATION OR SOIL AT OUTLET CREST. SIDE SLOPES SHALL BE 1:3 OR FLATTER. MAXIMUM TRAP DEPTH SHALL BE 1.1 METERS (3.5 FEET).
4. COBBLES CONFORMING TO CITY OF ELK GROVE SPECIFICATIONS SHALL BE PLACED ON THE TOPS, SLOPES, AND BOTTOMS OF THE INLET SIDES. COBBLES SHALL EXTEND A MINIMUM OF 600 MM (2 FEET) BEYOND THE TOP AND TOE OF SLOPES.
5. PERIMETER OF SEDIMENT TRAPS SHALL BE STABILIZED WITH GABIONS OR COBBLES AND HYDROSEED 3 METERS (10 FEET) BEYOND EDGE OF EXCAVATION IF EXISTING VEGETATION IS THIN, DISTURBED OR NONEXISTENT.
6. THE CONTRACTOR SHALL INSPECT SEDIMENT TRAPS WEEKLY AND AFTER EACH RAINFALL AND CLEAN AND REPAIR AS NECESSARY. SEDIMENT SHALL BE REMOVED FROM THE BOTTOM OF THE TRAP WHEN 300 MM (1 FOOT) DEEP OR LESS.

DATE:	NOT TO SCALE
09/22/2007	
REVISION BY	APPROVED DATE

CITY OF ELK GROVE - PUBLIC WORKS

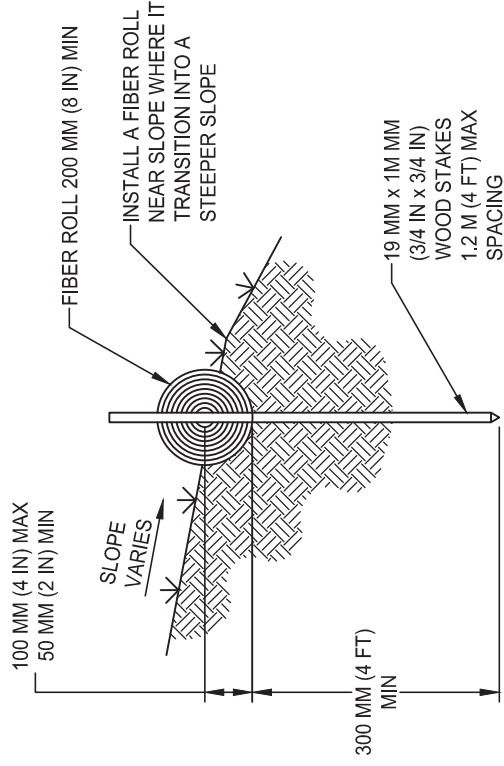
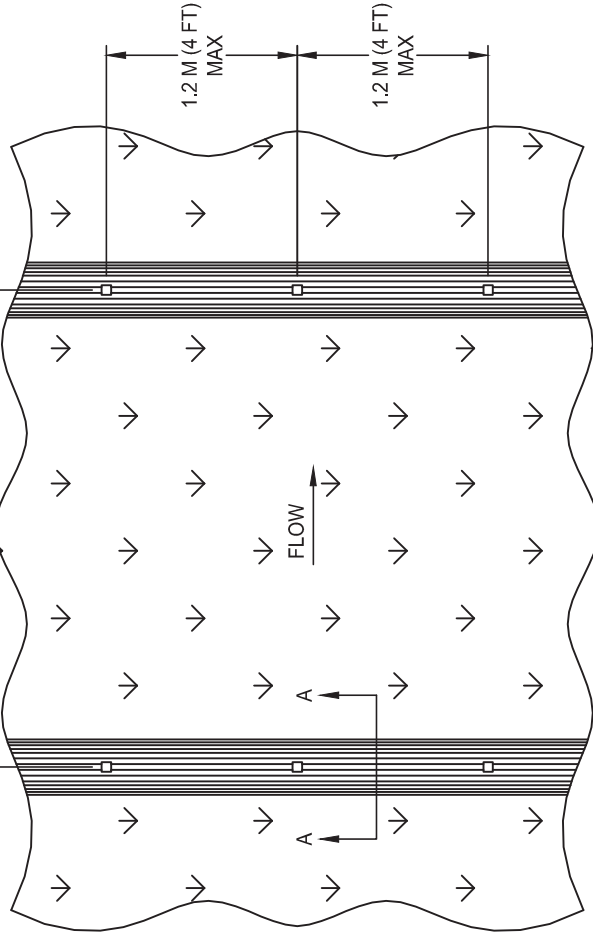
**SEDIMENT TRAP
STABILIZED OUTLET**

APPROVED BY: *Paul M. Mudd*
 CITY ENGINEER
 DATE: 10/24/2018



DRAWING NUMBER
SQ - 3

VERTICAL SPACING MEASURED
ALONG THE FACE OF THE SLOPE
VARIES BETWEEN 2.4 M - 6.0 M
(8 FT - 20 FT)



TYPICAL FIBER ROLL INSTALLATION

SECTION A-A

NOTES:

1. INSTALL FIBER ROLL IN A ROW ALONG A LEVEL CONTOUR.
2. AT ENDS OF A ROW TURN THE LAST TWO FEET UP SLOPE SLIGHTLY.
3. FIBER ROLLS SHALL BE BUTTED TIGHTLY AT THE JOINTS.
4. DO NOT OVERLAP JOINTS.

DATE:	NOT TO SCALE	
09/22/2007		
REVISION	APPROVED	DATE


CITY OF ELK GROVE - PUBLIC WORKS

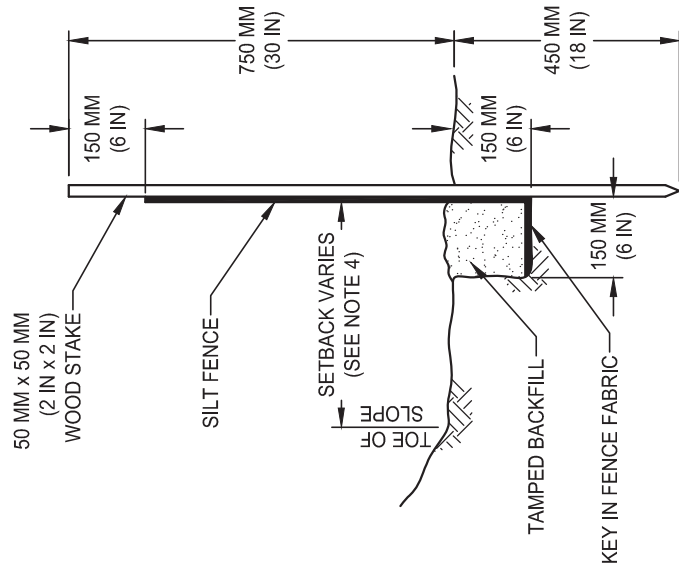
FIBER ROLLS

APPROVED BY: *Paul F. Muddick* 10/24/2018 DATE

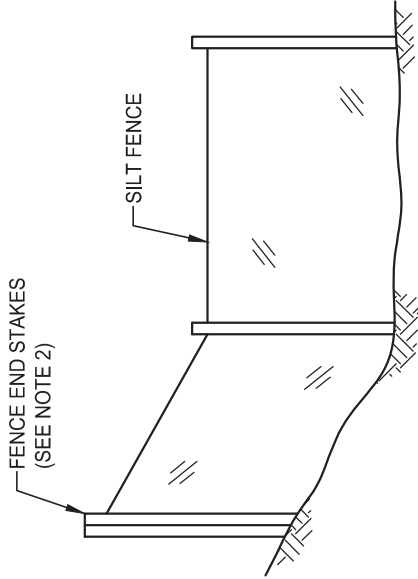
CITY ENGINEER

DRAWING NUMBER **SQ - 4**



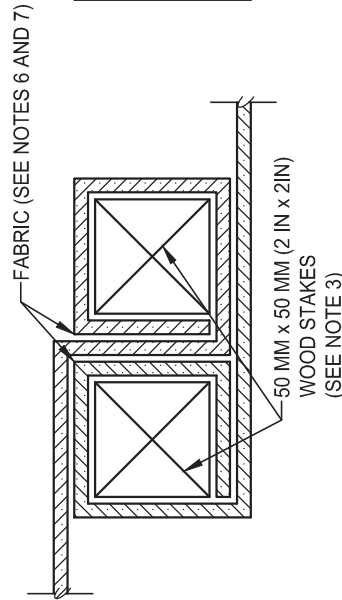


FENCE END DETAIL



FENCE SECTION DETAIL

STAPLE DETAIL



END STAKE DETAIL

NOTES:

1. CONSTRUCT THE LENGTH OF EACH REACH SO THAT THE CHANGE IN BASE ELEVATION ALONG THE REACH DOES NOT EXCEED 1/3 THE HEIGHT OF THE LINEAR BARRIER. IN NO CASE SHALL THE REACH LENGTH EXCEED 150 MM (6 IN)
2. THE LAST 2.4 M (8 FT) OF FENCE SHALL BE TURNED UP SLOPE.
3. STAKE DIMENSIONS ARE NOMINAL.
4. DIMENSIONS MAY VARY TO FIT FIELD CONDITION.
5. STAKES SHALL BE SPACED AT 2.4 M (8 FT) MAXIMUM AND SHALL BE POSITIONED ON THE DOWNSTREAM SIDE OF THE FENCE.
6. OVERLAP STAKES, AND FOLD FENCE FABRIC TO ROUND EACH STAKE ONE FULL TURN.
7. STAKES SHALL BE DRIVEN TIGHTLY TOGETHER TO PREVENT POTENTIAL FLOW THROUGH OF SEDIMENT AT THE JOINT.
8. FOR END STAKE CONDITION FOLD FENCE FABRIC AROUND (2) STAKES (1) FULL TURN AND SECURE WITH (4) STAPLES.
9. MINIMUM (4) STAPLES PER STAKE.
10. CROSS BARRIERS SHALL BE MINIMUM OF 1/3 AND MAXIMUM OF 1/2 THE HEIGHT OF THE LINEAR BARRIER.

JOINT DETAIL

DATE:	NOT TO SCALE	
09/22/2007		
REVISION	APPROVED	DATE

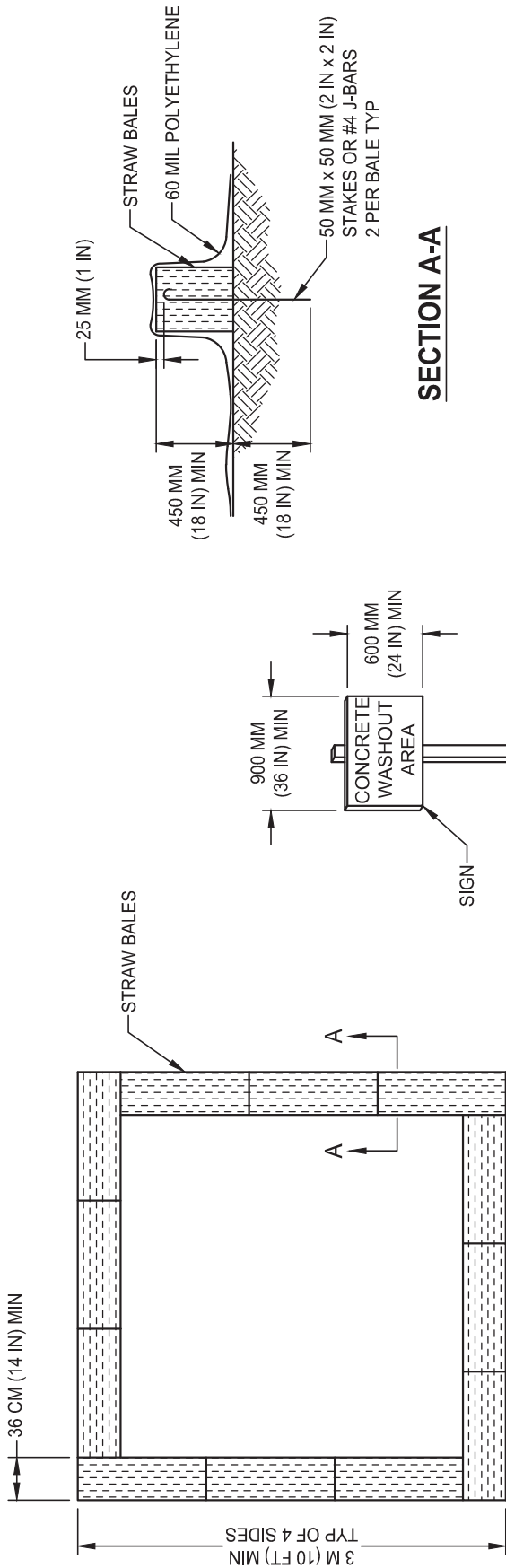
CITY OF ELK GROVE - PUBLIC WORKS

APPROVED BY: *Paul F. Muddick*
 CITY ENGINEER
 DATE: 10/24/2018



SILT FENCE

DRAWING NUMBER
SQ - 5



BALE CONFIGURATION

SECTION A-A

THIS SECTION REMOVED FOR GRAPHICAL REPRESENTATION ONLY. STRAW BALE PERIMETER SHALL BE CONTINUOUS.

NOTES:


1. FACE SIGN TOWARD NEAREST STREET OR ACCESS POINT.
2. CONCRETE WASHOUT SHALL BE LOCATED BEHIND THE CURB AND 15 M (50 FT) MINIMUM FROM DRAINAGE INLETS OR WATERCOURSES.

DATE:	NOT TO SCALE		
09/22/2007			
REVISION	BY	APPROVED	DATE

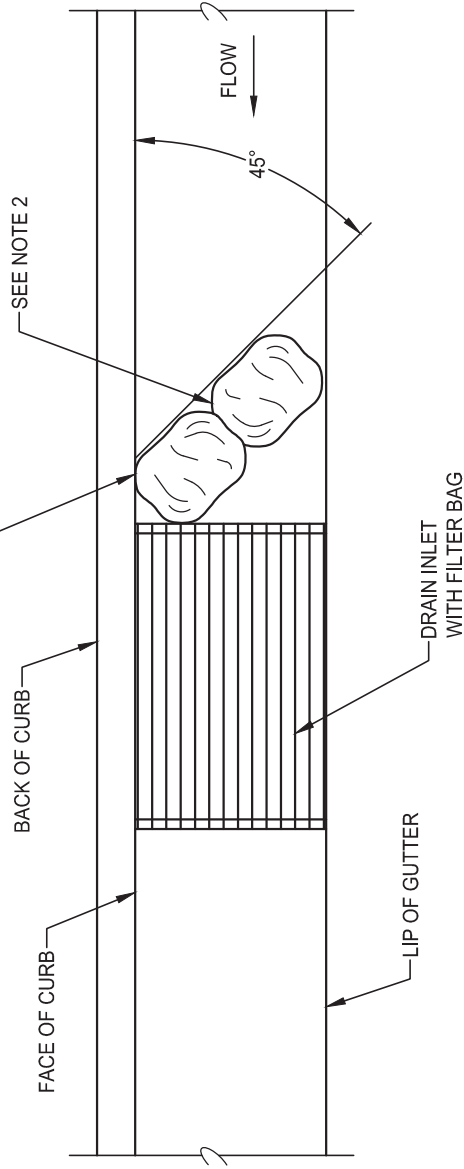
CITY OF ELK GROVE - PUBLIC WORKS

CONCRETE WASHOUT

APPROVED BY: *Paul F. Muddick*
 CITY ENGINEER
 DATE: 10/24/2018
 DRAWING NUMBER: **SQ - 6**



GRAVEL BAG(S) OR OTHER ACCEPTED
SEDIMENT CONTROL BMP. PLACE BAGS
TIGHT AGAINST FACE OF CURB.
(STRAW BALES MAY NOT BE USED.)



PLAN VIEW

NOTES:

1. SEDIMENT TRAP UPSTREAM OF SEDIMENT CONTROL BMP SHALL BE CLEANED WEEKLY AND PRIOR TO A RAINFALL EVENT.
2. PLACE BAGS TIGHTLY TOGETHER AT JOINTS TO PREVENT OR MINIMIZE SEEPAGE AT JOINTS.

DATE:	NOT TO SCALE	
09/22/2007		
REVISION	APPROVED	DATE


CITY OF ELK GROVE - PUBLIC WORKS

INLET SEDIMENT CONTROL

APPROVED BY: *Paul F. Muddick*
CITY ENGINEER

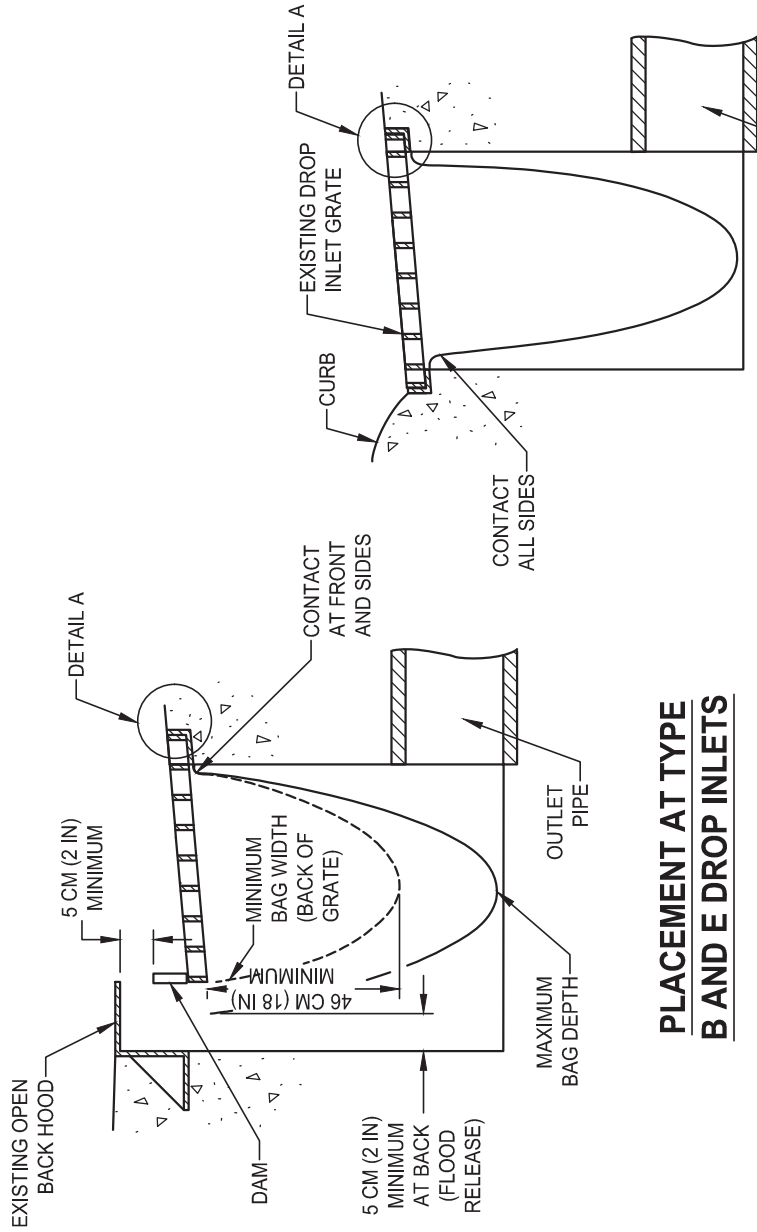
10/24/2018
DATE

DRAWING NUMBER
SQ - 7

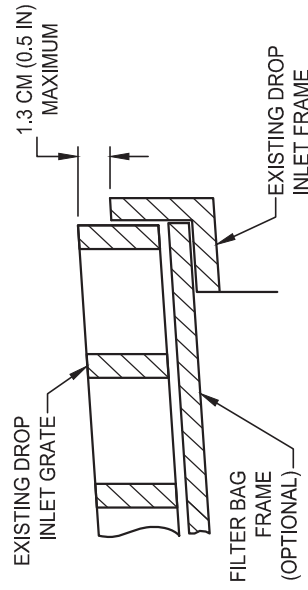


NOTES:

1. THE MAXIMUM DRAINAGE AREA PER FILTER SHALL BE NO MORE THAN 0.8 HECTARES (2 ACRES).
2. THE FILTER BAG SHALL BE MANUFACTURED FROM UV RESISTANT POLYPROPYLENE, NYLON, POLYESTER, OR ETHYLENE FABRIC WITH A MINIMUM TENSILE STRENGTH OF 50 LBS PER LINEAL FOOT, AN EQUIVALENT OPENING SIZE NOT GREATER THAN 20 SIEVE AND WITH GALLONS/MINUTE/SQ FT.
3. THE FILTER BAG MAY BE SUSPENDED FROM OR HELD IN PLACE ON EXISTING INLET GRATE (OR OTHER APPROVED METHOD), PROVIDING NO MODIFICATION OR DAMAGE SHALL BE DONE TO THE INLET GRATE OR FRAME. THE INLET GRATE SHALL NOT BE CAUSED TO REST MORE THAN 13 MM (0.5 IN) ABOVE THE INLET FRAME (SEE DETAIL A).
4. THE FILTER BAG MAY EXTEND TO THE BOTTOM OF THE INLET BOX PROVIDED THE OUTLET PIPE IS UNOBSTRUCTED.
5. FLOWS SHALL NOT BE ALLOWED TO BYPASS THE BAG. THE BAG OR ITS FRAME SHALL CATCH FLOWS AT ALL SIDES OF THE INLET, EXCEPT AS SHOWN FOR FLOOD RELEASE.
6. INLET FILTER BAGS SHALL BE INSPECTED WEEKLY AND AFTER EACH RAINFALL DURING THE WET SEASON AND MONTHLY DURING THE DRY SEASON. SEDIMENT AND DEBRIS SHALL BE REMOVED BEFORE ACCUMULATIONS HAVE REACHED ONE THIRD THE DEPTH OF THE BAG. BAGS SHALL BE REPAIRED OR REPLACED AS SOON AS DAMAGE OCCURS.



PLACEMENT AT TYPE B AND E DROP INLETS



PLACEMENT AT TYPE A, C, D, & F DROP INLETS AND PARKING LOTS

DETAIL A

DATE:	NOT TO SCALE
09/22/2007	
REVISION	DATE
BY	APPROVED

CITY OF ELK GROVE - PUBLIC WORKS

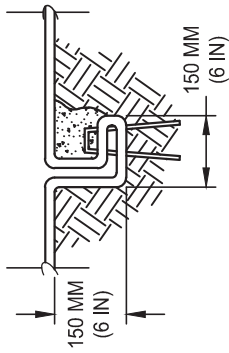
STORM DRAIN INLET FILTER BAG

APPROVED BY: *Paul M. Mudd*

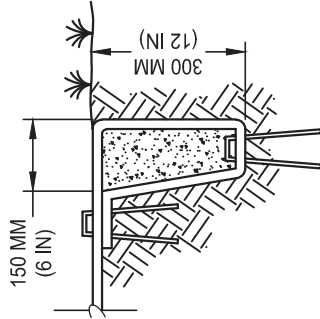
CITY ENGINEER

DATE: 10/24/2018

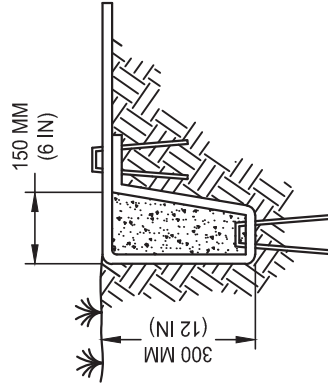
DRAWING NUMBER: **SQ - 8**



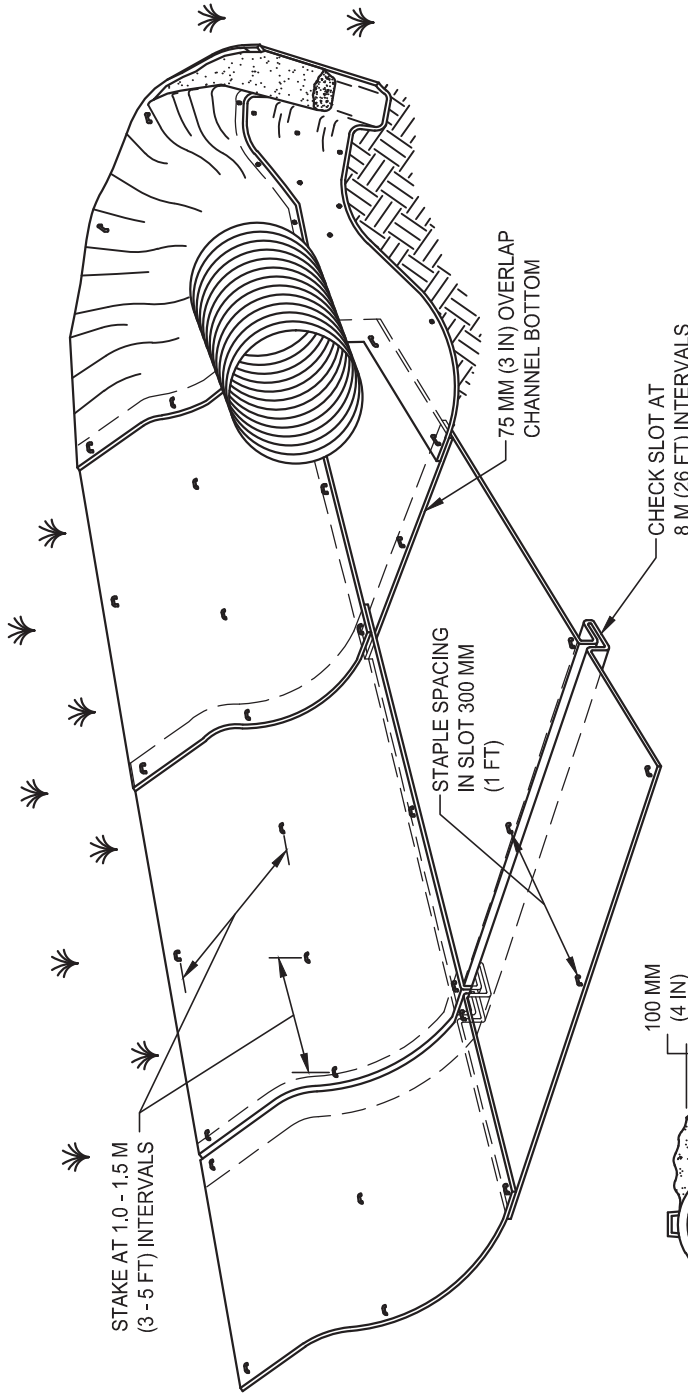
CHECK SLOT



INITIAL CHANNEL ANCHOR TRENCH



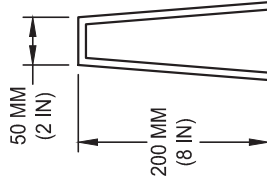
TERMINAL SLOPE AND CHANNEL ANCHOR TRENCH



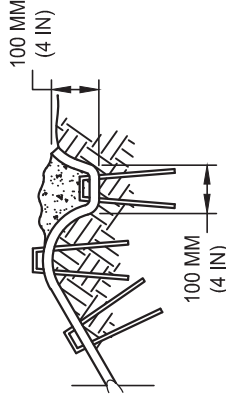
TYPICAL CHANNEL SOIL STABILIZATION

NOTE:

1. CONSTRUCTION OF CHECK SLOTS, STAKING, STAPLING LAYOUT, AND MAT INSTALLATION ALL TO BE DONE PER MANUFACTURER'S SPECIFICATIONS.



WIRE STAPLES



LONGITUDINAL ANCHOR TRENCH

DATE:	NOT TO SCALE
09/22/2007	
REVISION	APPROVED
	DATE

CITY OF ELK GROVE - PUBLIC WORKS

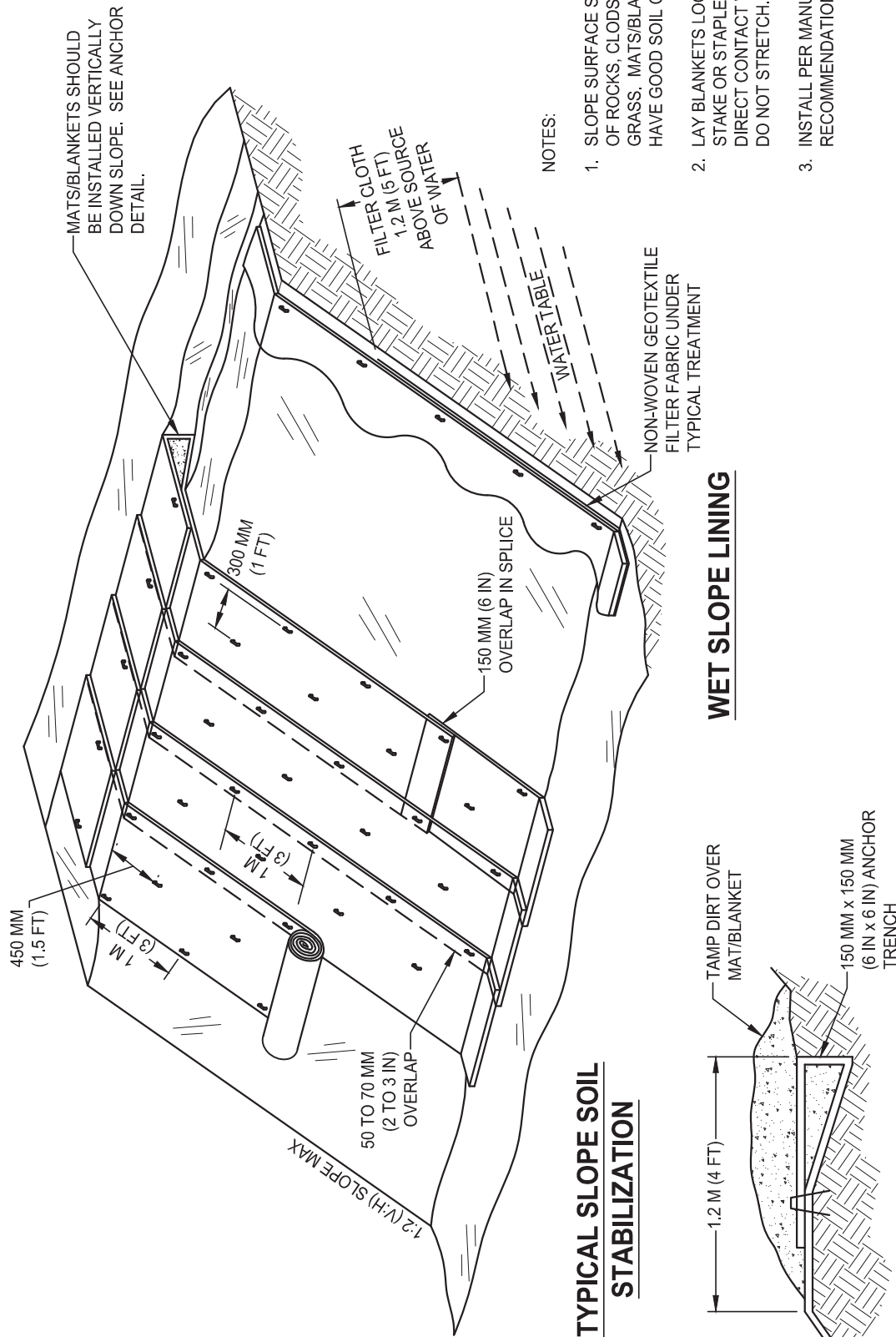
EROSION CONTROL BLANKETS / MATS CHANNEL INSTALLATION

APPROVED BY: *Robert M. Mudd*
 CITY ENGINEER

10/24/2018
 DATE

DRAWING NUMBER
SQ - 9A





MATS/BLANKETS SHOULD BE INSTALLED VERTICALLY DOWN SLOPE. SEE ANCHOR DETAIL.

FILTER CLOTH 1.2 M (3 FT) ABOVE SOURCE OF WATER

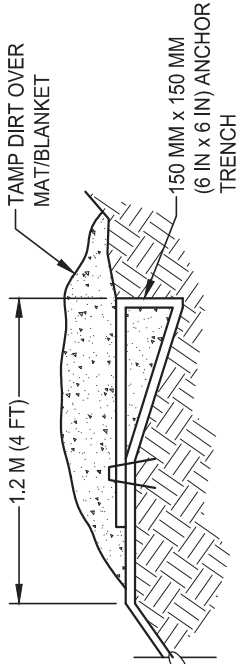
NOTES:

1. SLOPE SURFACE SHALL BE FREE OF ROCKS, CLODS, STICKS AND GRASS. MATS/BLANKETS SHALL HAVE GOOD SOIL CONTACT.
2. LAY BLANKETS LOOSELY AND STAKE OR STAPLE TO MAINTAIN DIRECT CONTACT WITH THE SOIL. DO NOT STRETCH.
3. INSTALL PER MANUFACTURER'S RECOMMENDATIONS.

NON-WOVEN GEOTEXTILE FILTER FABRIC UNDER TYPICAL TREATMENT

WET SLOPE LINING

TYPICAL SOIL STABILIZATION



ANCHOR DETAIL

DATE:	NOT TO SCALE	
09/22/2007		
REVISION	APPROVED	DATE

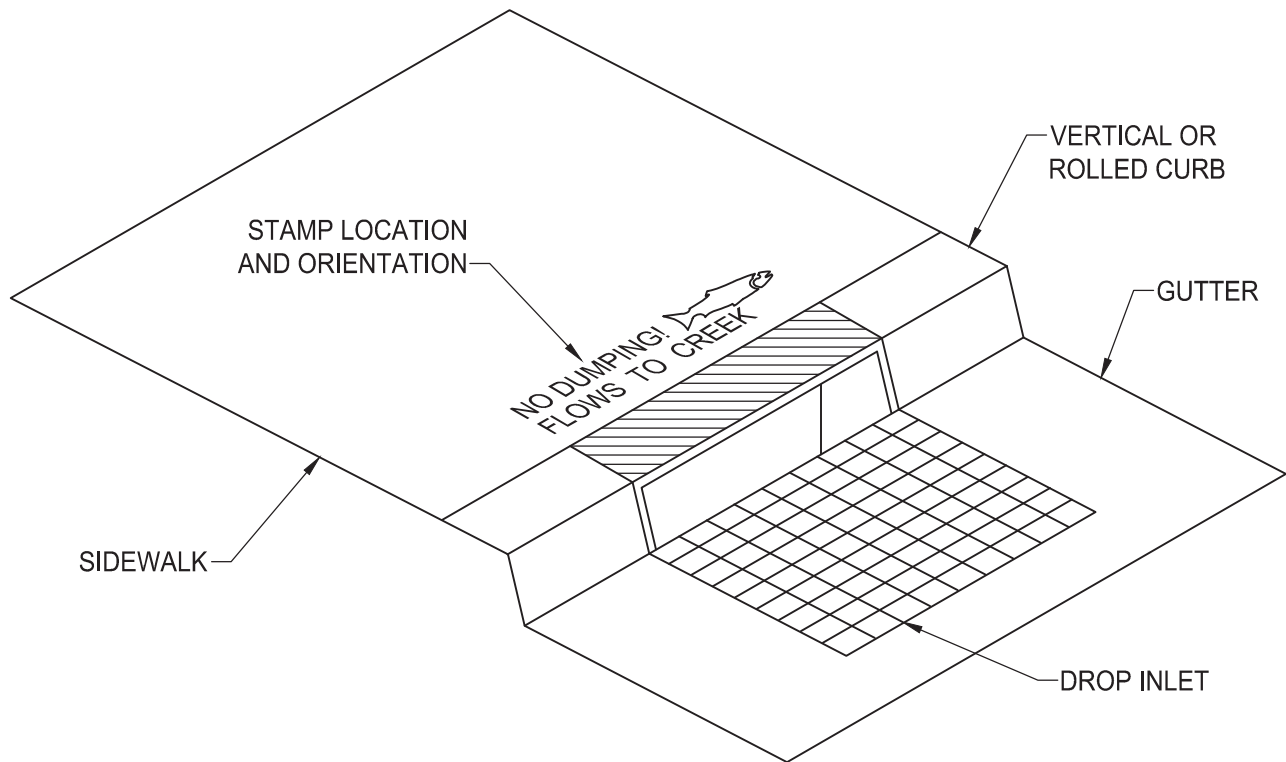
CITY OF ELK GROVE - PUBLIC WORKS

APPROVED BY: *Paul F. Muddick*
 CITY ENGINEER
 DATE: 10/24/2018

EROSION CONTROL BLANKETS/MATS SLOPE INSTALLATION

DRAWING NUMBER
SQ - 9B





NOTES:

1. MESSAGE AND SYMBOL SHALL BE AS SHOWN ON SQ-10.2 OR AS APPROVED BY THE DIRECTOR.
2. LETTERS SHALL BE 1.5 INCHES (38 MM) IN HEIGHT. THE MESSAGE SHALL BE CENTERED ON THE BACK OF THE INLET.
3. CONCRETE SHALL BE STAMPED IN SUCH A WAY AS TO PROVIDE FOR A CLEAR AND LEGIBLE IMAGE. (APPROXIMATE DEPTH OF 0.25 INCH OR 6 MM).


DATE: 09/22/2017		NOT TO SCALE	
REVISION	BY	APPROVED	DATE

CITY OF ELK GROVE - PUBLIC WORKS

**DROP INLET CONCRETE STAMP
(SHEET 1 OF 2)**

APPROVED BY:
Paul M. Muddoch 10/24/2018
CITY ENGINEER DATE

DRAWING NUMBER
SQ - 10.1



STAMP MESSAGES AND SYMBOLS

DIMENSIONS MAY VARY AMONG THE STAMP DESIGNS SHOWN BELOW, BUT SHALL NOT EXCEED THE MAXIMUM DIMENSIONS.



**NO
DUMPING!**



**DRAINS TO
CREEK**

DATE: 09/22/2017		NOT TO SCALE	
REVISION	BY	APPROVED	DATE

CITY OF ELK GROVE - PUBLIC WORKS

**DROP INLET CONCRETE STAMP
(SHEET 2 OF 2)**

APPROVED BY:
Paul Muroch
CITY ENGINEER

10/24/2018
DATE

DRAWING NUMBER
SQ - 10.2

