

Phone: 916.683.7111
Fax: 916.691.3168

Web: www.elkgrovecity.org

8401 Laguna Palms Way
Elk Grove, California 95758



Modification or Addition to Improvement Standards and Details

Modification Number: SL30&31Rev2

Effective Date of Change: 3/18/2008

Modification:

1. Revision 2 to standard drawing #SL30 and SL31
 - Changed the material specs for the cross arm to steel pipe instead of aluminum
 - Changed Holophane's cross arm model number to meet the requirement.

Amended specifications are attached. Projects with preconstruction conference prior to effective date not subject to modification.

Effect of Modification:

1. This modification will address the sagging problem with the aluminum cross arms. (See attached pictures).

Request for Modification Initiated By:

Brenda Stanson 4-17-08
Date

Modification Reviewed for Conformity and Consistency to Standards:

[Signature] 4/17/08
City Engineer Date

Modification to Improvement Standards Approved:

Cheryl Croxon 4/17/08
Director of Public Works Date

APPLICATION

WIDE MEDIANS ON ARTERIALS AND THOROUGHFARES

SPECIFICATIONS

POST BASE

THE BASE SHALL BE CAST IRON CONSTRUCTION WITH A TAPERED AND STEPPED OCTAGONAL PATTERN. A 1-PIECE SLIP OVER TRANSITION COLLAR COVERS THE BASE OF THE SHAFT. A DOOR IS LOCATED IN THE BASE FOR ANCHORAGE AND WIRING ACCESS. A GROUND SCREW (5/8") SHALL BE PROVIDED INSIDE THE BASE, OPPOSITE THE ACCESS DOOR.

POST SHAFT

THE POST SHAFT SHALL BE 11-GAUGE STEEL WITH A STEEL PLATE FOR MOUNTING TO THE BASE. THE OCTAGONAL SHAFT TAPERS FROM 8" (FLAT TO FLAT) AT THE BOTTOM TO 4-3/8" AT THE TOP, WITH A DECORATIVE OCTAGONAL FINIAL.

CROSSARM

THE CLAMP ON CROSSARM SHALL BE STEEL PIPE CONSTRUCTION WITH FLAT BAR SCROLLS AND 1-1/2" X 1/2" FLAT BAR CLAMP-ON BRACE. A SLEEVE GASKET SHALL BE INSTALLED TO PREVENT ARM MOVEMENT. ARMS SHALL HAVE A 2" PIPE SLEEVE FOR LUMINAIRE MOUNTING. THE CROSSARM MEASURES 52" FROM POST TO LUMINAIRE CENTERS. A LUMINAIRE LEVELING FITTER SHALL BE MOUNTED TO THE END OF THE PIPE ARM FOR LUMINAIRE MOUNTING.

FINISH

THE POST SHALL BE SHIPPED FINISHED WITH A STANDARD HOLOPHANE BLACK POWDER COAT FINISH.

NOTE

ALL HARDWARE STAINLESS STEEL. ALL EXTERIOR HARDWARE TAMPER RESISTANT. BASE AND SHAFT TO BE SHIPPED AS A ONE-PIECE UNIT.

HALOPHANE MODEL #:

28' EIGHT SIDED - TAMPER PROOF - AB - TLPS2/2-CSBK (TWO SCROLLS) - FINIAL - TAMPER PROOF HARD WARE HH - (2)WLLF/200-SCA/BK - ESU20AHPMCB4 R

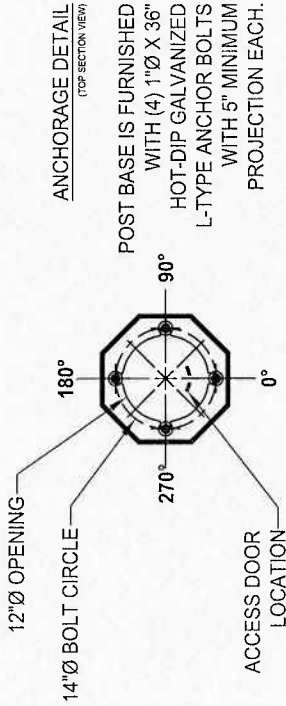
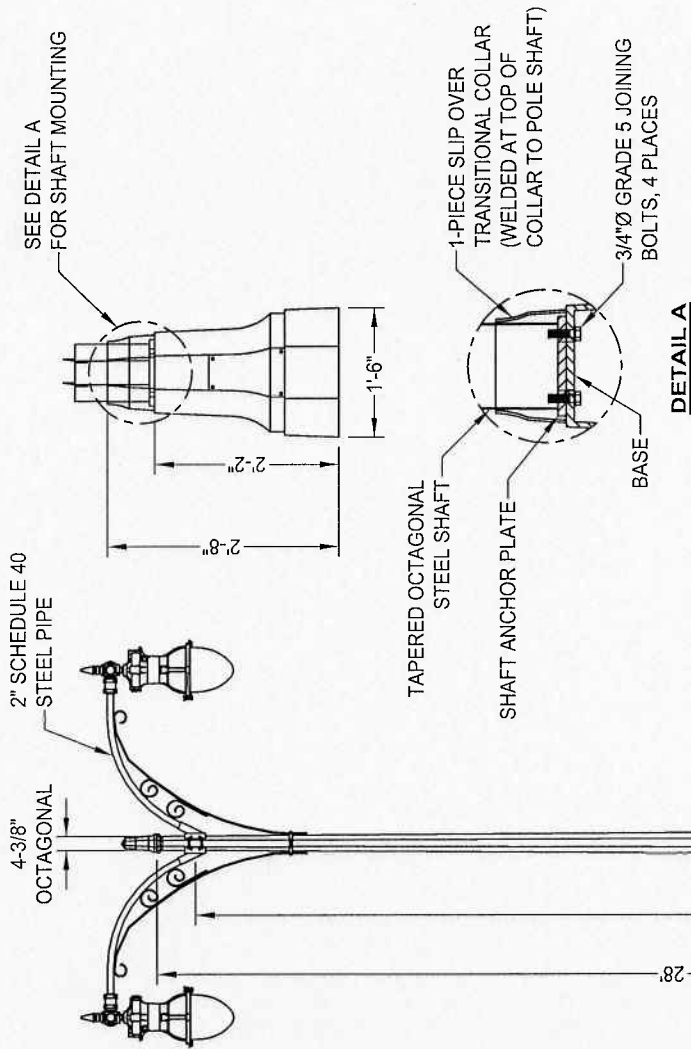
APPROVED ALTERNATIVE:

THE CITY OF ELK GROVE MAY ACCEPT THE FOLLOWING AS AN ALTERNATIVE:

POLE: UNION METAL: DESIGN NO. B40094-B15-Y1

FIXTURE: LUMEC: 2/RN30-150HPS-THA3-GL-QTA/120-SMA-PH8-BKTX

FINISH: BLACK POWDER COAT



SEE DRAWING NUMBER SL-3 FOR FOUNDATION DETAIL

DATE:	NOT TO SCALE		
12/07/2007			
REVISION	BY	APPROVED	DATE
1	DC	FB	12/07/2007
2	DC	FB	03/12/2008

CITY OF ELK GROVE - PUBLIC WORKS

APPROVED BY:

[Signature]
CITY ENGINEER

ZONE 2 ELECTROLIER
(DUAL ARM)

DRAWING NUMBER

SL - 30



APPLICATION

ARTERIAL (REDUCED MEDIAN) AND COLLECTOR STREETS

SPECIFICATIONS

POST BASE

THE BASE SHALL BE CAST IRON CONSTRUCTION WITH A TAPERED AND STEPPED OCTAGONAL PATTERN. A 1-PIECE SLIP OVER TRANSITION COLLAR COVERS THE BASE OF THE SHAFT. A DOOR IS LOCATED IN THE BASE FOR ANCHORAGE AND WIRING ACCESS. A GROUND SCREW (5/8") SHALL BE PROVIDED INSIDE THE BASE, OPPOSITE THE ACCESS DOOR.

POST SHAFT

THE POST SHAFT SHALL BE 11-GAUGE STEEL WITH A STEEL PLATE FOR MOUNTING TO THE BASE. THE OCTAGONAL SHAFT TAPERS FROM 8" (FLAT TO FLAT) AT THE BOTTOM TO 4-3/8" AT THE TOP, WITH A DECORATIVE OCTAGONAL FINIAL.

CROSSARM

THE CLAMP ON CROSSARM SHALL BE STEEL PIPE CONSTRUCTION WITH FLAT BAR SCROLLS AND 1-1/2" X 1/2" FLAT BAR CLAMP-ON BRACE. A SLEEVE GASKET SHALL BE INSTALLED TO PREVENT ARM MOVEMENT. ARMS SHALL HAVE A 2" PIPE SLEEVE FOR LUMINAIRE MOUNTING. THE CROSSARM MEASURES 52" FROM POST TO LUMINAIRE CENTERS. A LUMINAIRE LEVELING FITTER SHALL BE MOUNTED TO THE END OF THE PIPE ARM FOR LUMINAIRE MOUNTING.

FINISH

THE POST SHALL BE SHIPPED FINISHED WITH A STANDARD HOLOPHANE BLACK POWDER COAT FINISH.

NOTE

ALL HARDWARE STAINLESS STEEL. ALL EXTERIOR HARDWARE TAMPER RESISTANT. BASE AND SHAFT TO BE SHIPPED AS A ONE-PIECE UNIT.

DESCRIPTION

THE ESPLANADE LUMINAIRE IS STYLED TO REPLICATE THE "FEARDROP" LUMINAIRES THAT LIGHTED BOULEVARDS IN THE FIRST HALF OF THIS CENTURY. DESIGNED FOR LIGHT CONTROL AND EASE OF INSTALLATION AND MAINTENANCE, THE ESPLANADE HAS A PRECISION OPTICAL SYSTEM FOR TRUE STREET LIGHTING PERFORMANCE. FOR COMPLETE LUMINAIRE SPECIFICATIONS, SEE STANDARD DETAIL SL-32 AND SL-35.

HALOPHANE MODEL #:

28' EIGHT SIDED - TAMPER PROOF - AB - TLP52/H-CS/BK (TWO SCROLLS) - FINIAL - TAMPER PROOF - HARD WARE HH - (2) WLLF200-SCA/BK - ESU20AHPMCB4 R

APPROVED ALTERNATIVE:

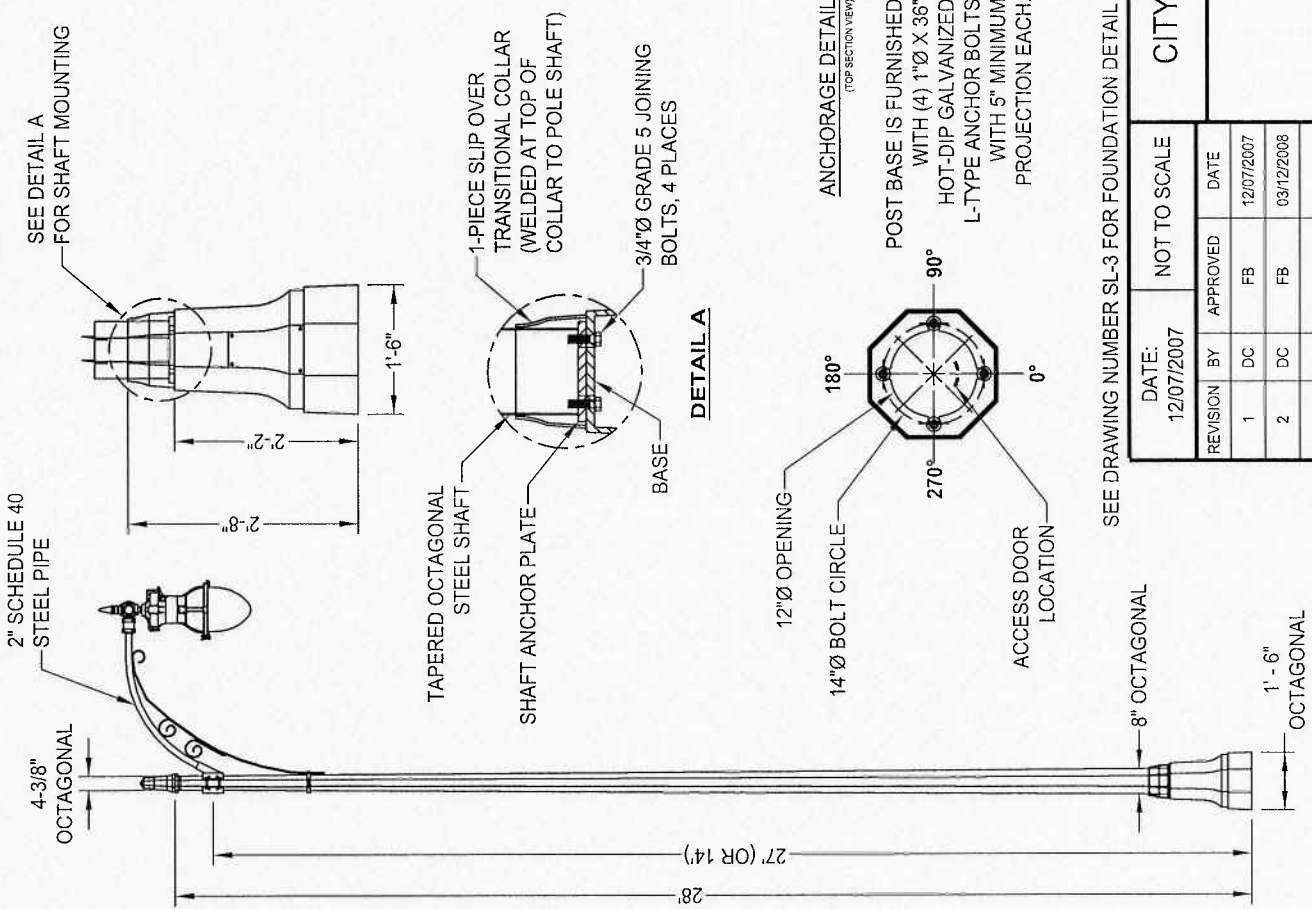
THE CITY OF ELK GROVE MAY ACCEPT THE FOLLOWING AS AN ALTERNATIVE:


POLE: UNION METAL; DESIGN NO. B40094-B14-Y1

FIXTURE: LUMEC; RN30-150HPS-THA3-GL-QTA120-SMA-PH8-BKTX

FINISH: BLACK POWDER COAT

SEE DRAWING NUMBER SL-3 FOR FOUNDATION DETAIL



DATE:	NOT TO SCALE	CITY OF ELK GROVE - PUBLIC WORKS	
12/07/2007		APPROVED BY: 	
REVISION	BY	APPROVED	DATE
1	DC	FB	12/07/2007
2	DC	FB	03/12/2008

ZONE 2 ELECTROLIER (SERIES 'A')

DRAWING NUMBER
SL - 31

