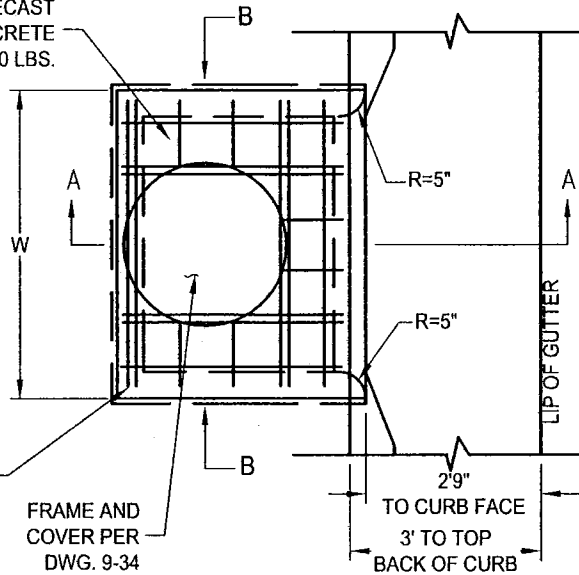


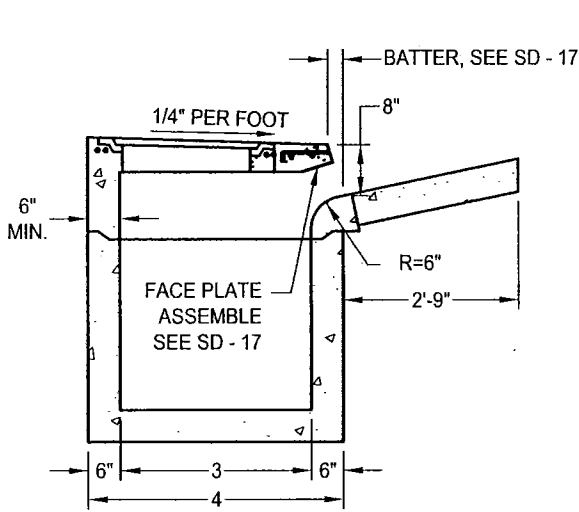
MIN. WEIGHT OF PRECAST REINFORCED CONCRETE COVER IS 80 LBS.

#4 REBAR @ 12" O.C. E.W., ADD 2-#4 ON 4 SIDES OF MANHOLE FRAME. MINIMUM 1" CLEAR COVER ALL DIRECTIONS

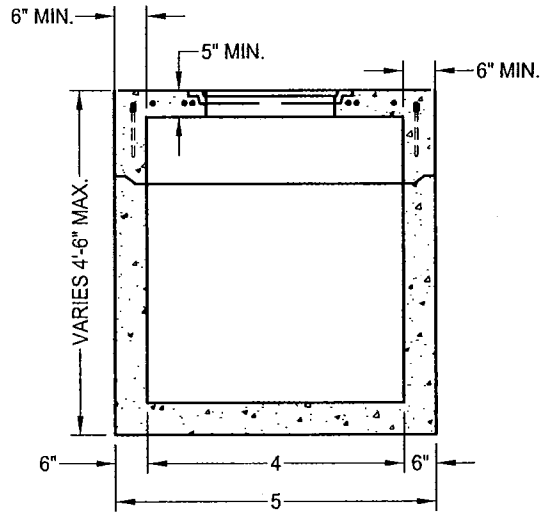
FRAME AND COVER PER DWG. 9-34



PLAN



SECTION A-A



SECTION B-B

NOTES:

1. CURB INLET ASSEMBLY MAY BE PRECAST CONCRETE OR FORMED AND CAST-IN-PLACE P.C.C.
2. ALL METAL SHALL BE HOT DIPPED GALVANIZED PER ASTM A123.
3. SEE STANDARD DRAWING SD - 17 FOR FACE PLATE ASSEMBLY.

| | | | |
|---------------------|----|--------------|------|
| DATE: 01/17/2007 | | NOT TO SCALE | |
| REVISION | BY | APPROVED | DATE |
| | | | |
| | | | |
| | | | |

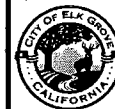
CITY OF ELK GROVE - PUBLIC WORKS

APPROVED BY:

CITY ENGINEER

DROP INLET TYPE G
TYPE 2 C&G ONLY
(PG 1 OF 2)

DRAWING NUMBER



SD - 19.1