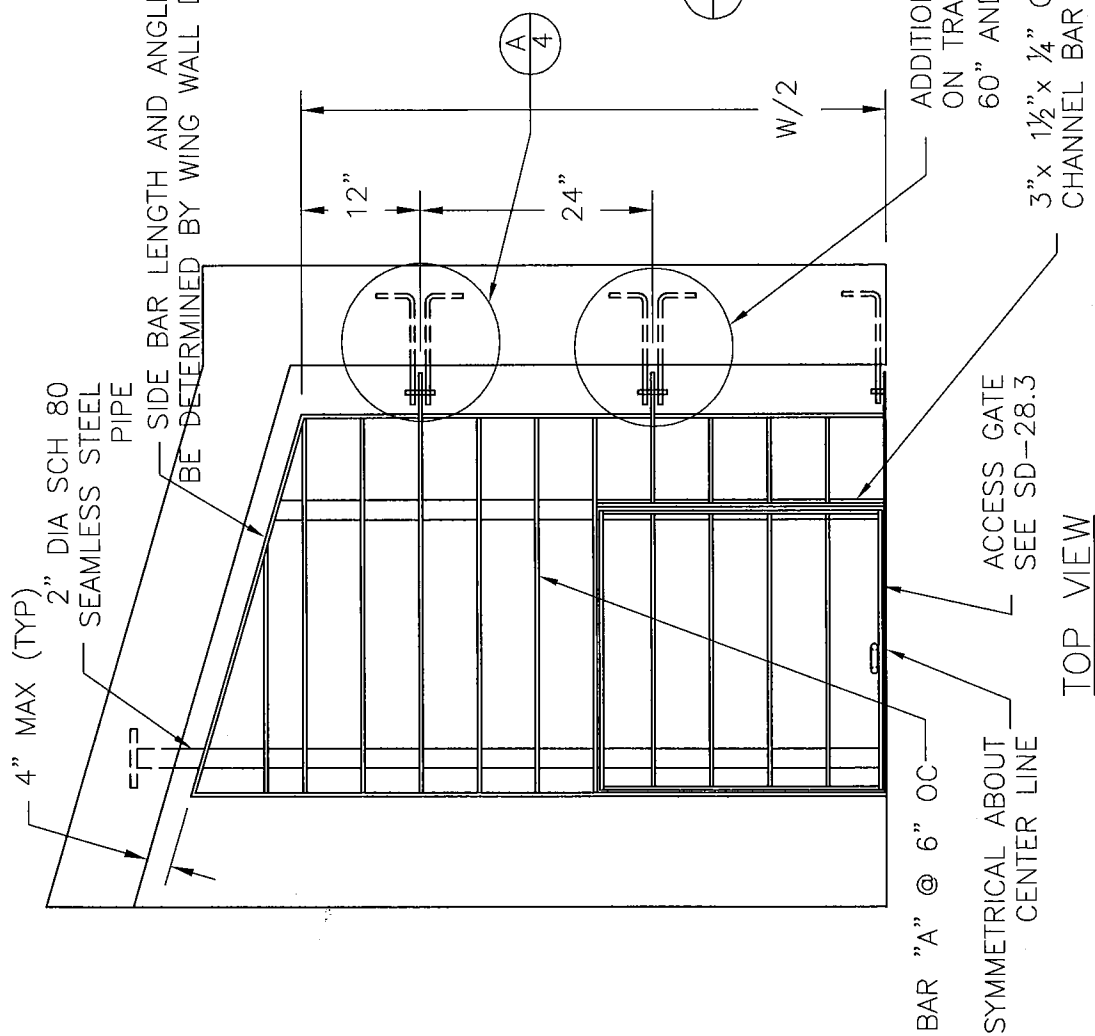


SIDE VIEW



TOP VIEW

NOTE:
SEE SECTION 9-17 FOR
DESIGN REQUIREMENTS

ADDITIONAL HINGE REQUIRED
ON TRASH RACK FOR
60" AND 72" PIPE
3" x 1 1/2" x 1/4" C10
CHANNEL BAR

4" MAX (TYP)
2" DIA SCH 80
SEAMLESS STEEL
PIPE
SIDE BAR LENGTH AND ANGLE WILL
BE DETERMINED BY WING WALL DESIGN

BAR "A" @ 6" OC
SYMMETRICAL ABOUT
CENTER LINE

ACCESS GATE
SEE SD-28.3

DATE: 01/24/2007	NOT TO SCALE
REVISION	APPROVED
BY	DATE

CITY OF ELK GROVE - PUBLIC WORKS

**TRASH RACK
42" PIPE AND LARGER**
(SHEET 2 OF 4)

APPROVED BY: _____
CITY ENGINEER

DRAWING NUMBER
SD - 28.2

