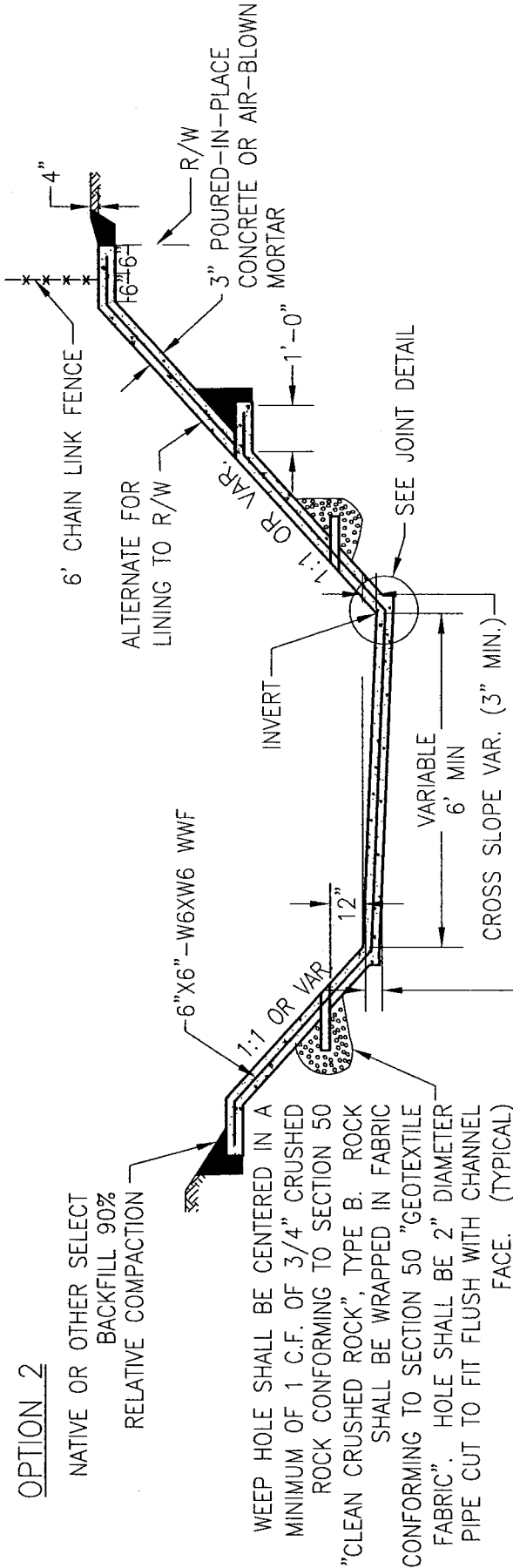


OPTION 2

NATIVE OR OTHER SELECT
BACKFILL 90%
RELATIVE COMPACTION

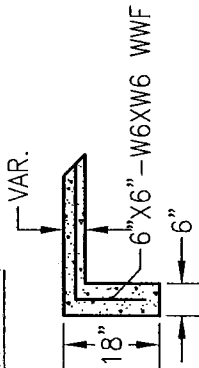


WEEP HOLE SHALL BE CENTERED IN A MINIMUM OF 1 C.F. OF 3/4" CRUSHED ROCK CONFORMING TO SECTION 50 "CLEAN CRUSHED ROCK", TYPE B. ROCK SHALL BE WRAPPED IN FABRIC CONFORMING TO SECTION 50 "GEOTEXTILE FABRIC". HOLE SHALL BE 2" DIAMETER PIPE CUT TO FIT FLUSH WITH CHANNEL FACE. (TYPICAL)

TYPICAL FULL LINING

4" POURED-IN-PLACE CONCRETE

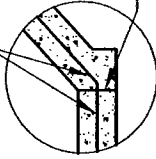
OPTION 1



CUTOFF WALL

TO BE PLACED ALONG ENTIRE END OF LINED SECTION AT BEGINNING AND AT END OF LINING

6"X6" - W6XW6 WWF



JOINT DETAIL

DATE:	NOT TO SCALE
01/17/2007	
REVISION BY	APPROVED
	DATE

CITY OF ELK GROVE - PUBLIC WORKS

LINED CHANNEL SECTION
(SHEET 2 OF 2)

APPROVED BY: _____
CITY ENGINEER

DRAWING NUMBER
SD - 30.2

