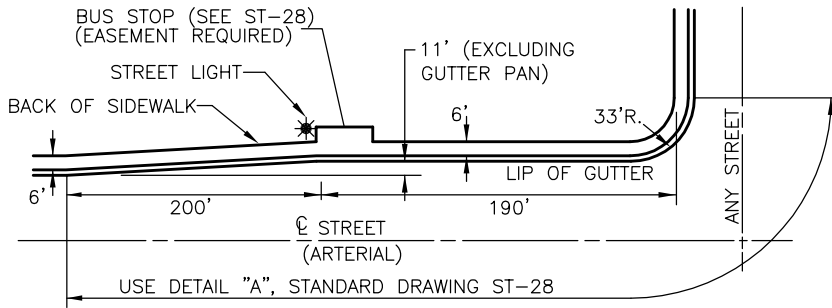
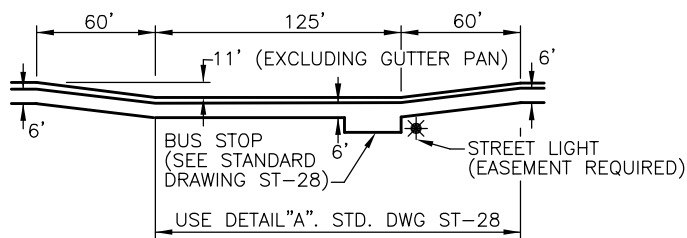



BUS TURNOUT ON THOROUGHFARE STREETS



BUS TURNOUT ON ARTERIAL STREETS



TYPICAL MID-BLOCK BUS TURNOUT

DATE: 02/12/2007		NOT TO SCALE		CITY OF ELK GROVE - PUBLIC WORKS		APPROVED BY:	
REVISION	BY	APPROVED	DATE	BUS TURNOUTS		CITY ENGINEER	
						DRAWING NUMBER	
							
						ST - 27	