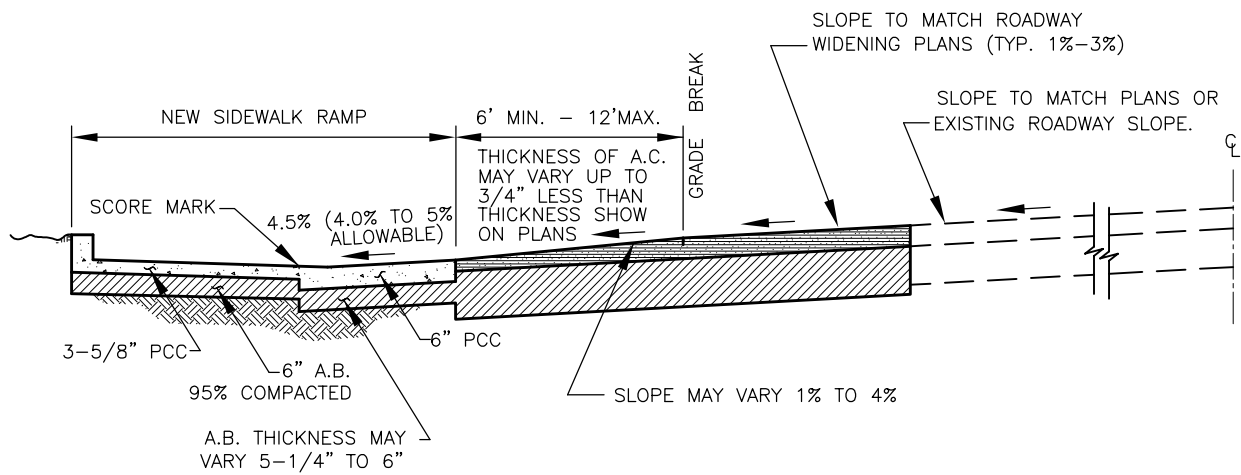


CONSTRUCTION OF NEW SIDEWALK RAMP
IN EXISTING PAVED AREA
PLAN VIEW



CONSTRUCTION OF NEW SIDEWALK RAMP
WITH PAVEMENT WIDENING
SECTION A - A

DATE: 02/13/2007		NOT TO SCALE		CITY OF ELK GROVE - PUBLIC WORKS		APPROVED BY:	
REVISION	BY	APPROVED	DATE	A.C. CONFORMS TO NEW SIDEWALK RAMP RE-CONSTRUCTION		CITY ENGINEER	
						DRAWING NUMBER	
							
						ST - 30	