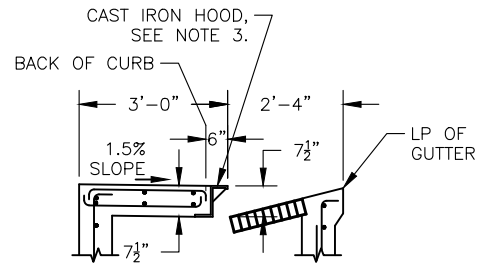


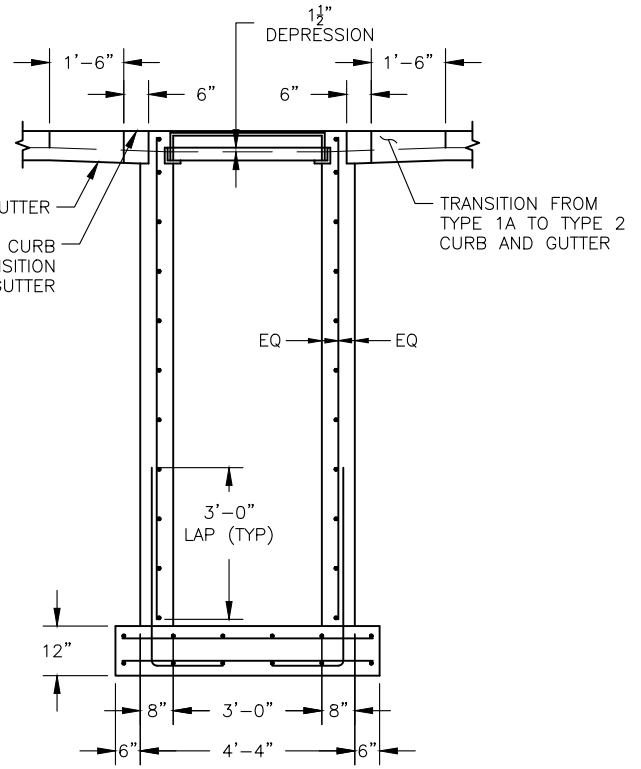
PLAN VIEW



SECTION A-A

TYPE 2 CURB AND GUTTER

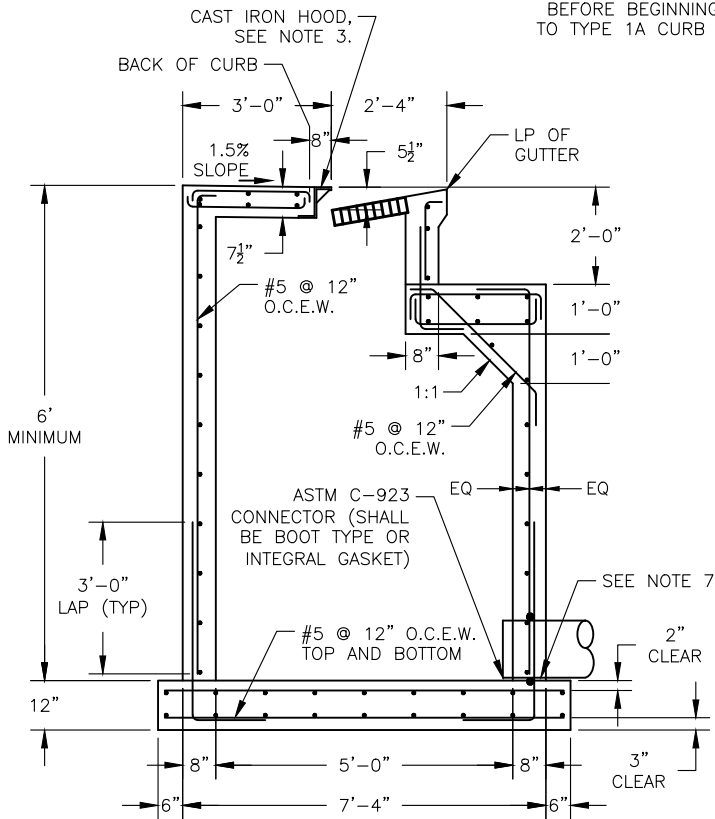
(FOR INFORMATION NOT SHOWN OR NOTED REFER TO SECTION A-A TYPE 1A CURB AND GUTTER)



SECTION B-B

NOTES:

1. STANDARD DEPRESSION FOR INLET IS 1 1/2".
2. FRAME AND GRATE SHALL CONFORM TO STANDARD DRAWINGS SD-14 AND SD-15.
3. OPEN BACK CAST IRON HOOD SHALL BE H-20 RATED, 3/4" THICK AND CONFORM TO STANDARD DRAWING SD-12.
4. ALL EXPOSED EDGES SHALL HAVE A 1/4" RADIUS (MINIMUM).
5. AN EDGING TOOL SHALL BE USED ON ALL EDGES WHERE THE CONCRETE SIDEWALK AND CURB MEET THE TOP OF THE HOOD.
6. EXPOSED SURFACES OF THE GRATES, FRAMES, AND HOODS WITH THE PARTS ASSEMBLED DISASSEMBLED SHALL BE PAINTED WITH COMMERCIAL QUALITY ASPHALTUM PAINT AFTER TESTING AND ASSEMBLY.
7. THE MINIMUM PIPE SIZE IS 12" IF THE INLET DEPTH IS GREATER THAN 4', THE MINIMUM PIPE SIZE SHALL BE 15".
8. THE MANHOLE FRAME AND COVER SHALL BE PER STANDARD DRAWING SD-9.



SECTION A-A
TYPE 1A CURB AND GUTTER

| | | | |
|---------------------|----|--------------|------|
| DATE: 09/22/2017 | | NOT TO SCALE | |
| REVISION | BY | APPROVED | DATE |
| | | | |
| | | | |
| | | | |

CITY OF ELK GROVE - PUBLIC WORKS

APPROVED BY:

Paul Mulock

10/24/2018

CITY ENGINEER

DATE

MODIFIED TYPE J INLET



DRAWING NUMBER

SD - 19.3