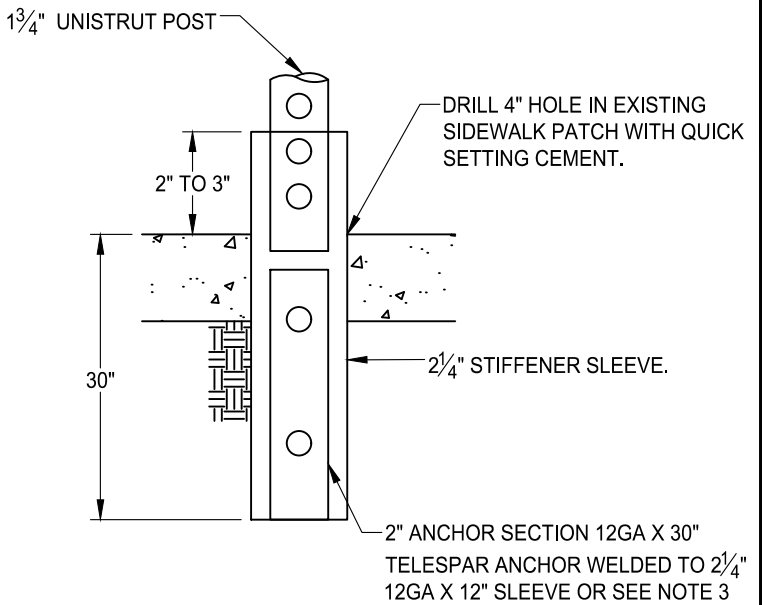


**DETAIL "A"**



**DETAIL "B" 1 3/4" UNISTRUT POST**

**NOTES:**

1. BOTTOM OF LOWEST STREET SIGN TO BE MOUNTED EIGHT (8) FEET ABOVE THE GROUND OR SIDEWALK PER DETAIL "A" SHOWN ON THIS SHEET EXCEPT, WHEN STOP SIGN IS MOUNTED ON SAME POST AS A STREET SIGN, BOTTOM OF STOP SIGN SHALL BE MOUNTED SEVEN (7) FEET ABOVE THE GROUND OR SIDEWALK AND STREET NAME SIGN TO BE MOUNTED DIRECTLY ABOVE THE STOP SIGN. IN NO CASE SHALL THE BOTTOM OF THE LOWEST SIGN BE LESS THAN SEVEN (7) FEET ABOVE THE GROUND OR SIDEWALK LEVEL.
2. WHEN INSTALLED BEFORE SIDEWALK IS CONSTRUCTED, DRIVE 2 1/4" SQUARE PIPE STIFFENER SLEEVE WITH 2" ANCHOR 30" INTO EXISTING GROUND SURFACE. SET TOP OF STIFFENER SLEEVE MINIMUM OF 2 FULL PERFORATION HOLES ABOVE ULTIMATE SIDEWALK GRADE. CAP END AND TAPE HOLES TO PREVENT CONCRETE FROM ENTERING PIPE DURING SIDEWALK CONSTRUCTION.
3. TWO (2) 3/8" DRIVE RIVETS, PERPENDICULAR TO EACH OTHER, SHALL BE USED TO INSTALL 1 3/4" PERFORATED SQUARE PIPE TO STIFFENER SLEEVE. TWO (2) 3/8" DRIVE RIVETS SHALL BE USED TO INSTALL ALL SIGNS OTHER THAN STREET NAME SIGNS TO SQUARE SIGN PIPE.
4. SQUARE PIPE TOP SIGN BRACKET SHALL BE HAWKINS, PART NUMBER V14F-(HD)SL-107(2C)-0.125 OR EQUAL. CROSSPIECE SIGN BRACKET SHALL BE 90°, HAWKINS PART NUMBER V14F-(HD)SL-105(90)-0.125 (OR EQUAL). STREET LIGHT STANDARD BRACKET SHALL BE HAWKINS, WING BRACKET, PART NO. V14F-(HD)SL-AB-0.125 OR EQUAL.

DATE: 09/22/2017		NOT TO SCALE	
REVISION	BY	APPROVED	DATE

CITY OF ELK GROVE - PUBLIC WORKS

**STREET SIGN LOCATION**

APPROVED BY:  
*Robert M. Muddoch*  
CITY ENGINEER

10/24/2018  
DATE

DRAWING NUMBER  
**T - 6B**

